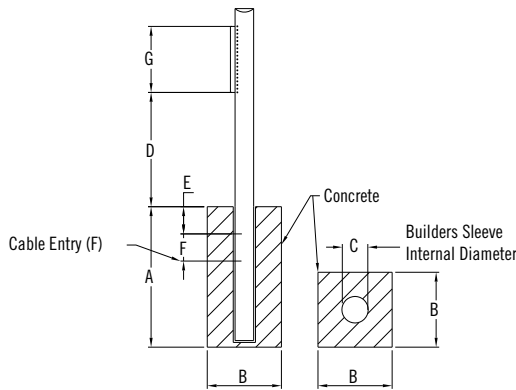
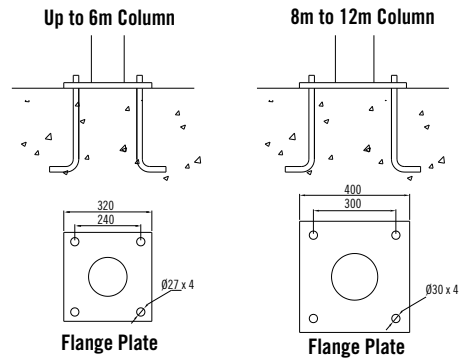


Columns Installation - Guideline Only - for standard type poles.

Rooted Details



Flanged Details (to be confirmed in writing before proceeding)



Note: For standard columns only.

COLUMN WITH ONLY 1 LUMINAIRE *

TUBULAR COLUMNS

Dimensions	Column Height				
	4m	5m	6m	8m	8m Hvy/Dec
A	600	600	1000	1200	1200
B	600	600	600	800	800
C	200min	200min	200min	230min	280min
D	500	850	1300	1200	1200
E	300	300	300	300	300
F	150	150	150	150	150
G	385	385	385	625	625

OCTAGONAL/SUPRALYTE COLUMNS

Dimensions	Column Height					
	4m	5m	6m	8m	10m	12m
A	600	600	1000	1500	1700	1700
B	600	600	600	800	800	1000
C	200min	200min	230min	280min	300min	340min
D	1000	1000	1300	1200	1200	1200
E	300	300	300	300	300	300
F	150	150	150	150	150	150
G	385	385	385	625	625	625

CONSTANT DIAMETER COLUMNS

Dimensions	Column Height					
	4m	5m	6m	8m	8.5m	10m
A	600	600	1000	1200	1500	1500
B	600	600	600	800	800	1000
C	200min	200min	200min	200min	200min	230min
D	1000	1000	1300	1200	1200	1200
E	300	300	300	300	300	300
F	150	150	150	150	150	150
G	385	385	385	625+	625+	625+

* Note shorter door may be supplied with some architectural luminaires
All dimensions in mm.

SPECIFICATIONS MAY CHANGE WITHOUT PRIOR NOTIFICATION.
Further info on request · email: info@light.ie · www.light.ie
Specifications may change without prior notification. Ref: 250A

SUITABILITY

All poles must be suitable for the load its carrying i.e. weight and especially windage. Also, locations with extra windage should be advised. This includes locations where the columns are installed above ground level (e.g on the roof of buildings). Poles need to be strengthened for these applications. Please specify accordingly. Also, Banners should not be added to columns unless the column has been strengthened accordingly. If poles are installed in a parking area and prone to damage from vehicles, please consider using Pole Protectors.

Local Authority work: Please check with Local Authority as specific requirements often apply.

INSTALLATION & ROOTED V FLANGED

Usual method is 'Rooted' - ie. a 10m Pole may have a 2m base (to bury in the ground), bringing the overall length of the Pole to 12m. (Note: It is still referred to as a 10m Column). The underground section is usually coated in bitumen or other protective coating.

The alternative is Flanged - the Column has a flange added and is then bolted to the ground after a suitable foundation has been prepared.
Note: J Bolts not included as standard. Please order separately.

Structural Engineer on site is necessary to decide on foundation details but VeeLite can provide guidelines for typical installations.

Builders Sleeve details (for rooted versions) or Template for J Bolts available on request, and will vary depending on height and location, and load/windage which the pole is intended to carry.

DOOR FOR FUSE

On standard poles, there will be a door near ground level for fuses. This is usually not large enough for Control Gear. Should Control Gear be required in the base of the column, please specify accordingly, otherwise a nearby Mini-Pillar may be needed. The fuse itself is supplied by the installer.

Poles and brackets etc under 4m will generally have no door for a fuse and no room for tru-wiring with armoured cable.

SPIGOT

This is an extension to the top of the pole, if necessary. There are typically 4 spigot sizes 60/76/90/114mm and poles or brackets must be designed to suit this.

For heavy duty columns, allow 1 size larger. Planting depth (A) remains the same.

Warning: Details provided are to give general guidance only and are not project specific. These must be confirmed by a structural engineer on site who will decide if they are appropriate to the circumstances/location, including soil conditions, wind exposure, etc.

* For hinged columns or columns with more than 1 luminaire, check with VeeLite.